

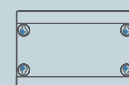


**Please observe the following when setting up the device**

- > For devices to be operated on the desktop, please attach the adhesive rubber footpads
- > Do not rest any objects on top of the device



- > Keep the ventilation slots on the side of the device clear of obstruction
- > In case of wall mounting, use the drilling template as supplied



- > Rack installation with the optional LANCOM Rack Mount (not supplied)

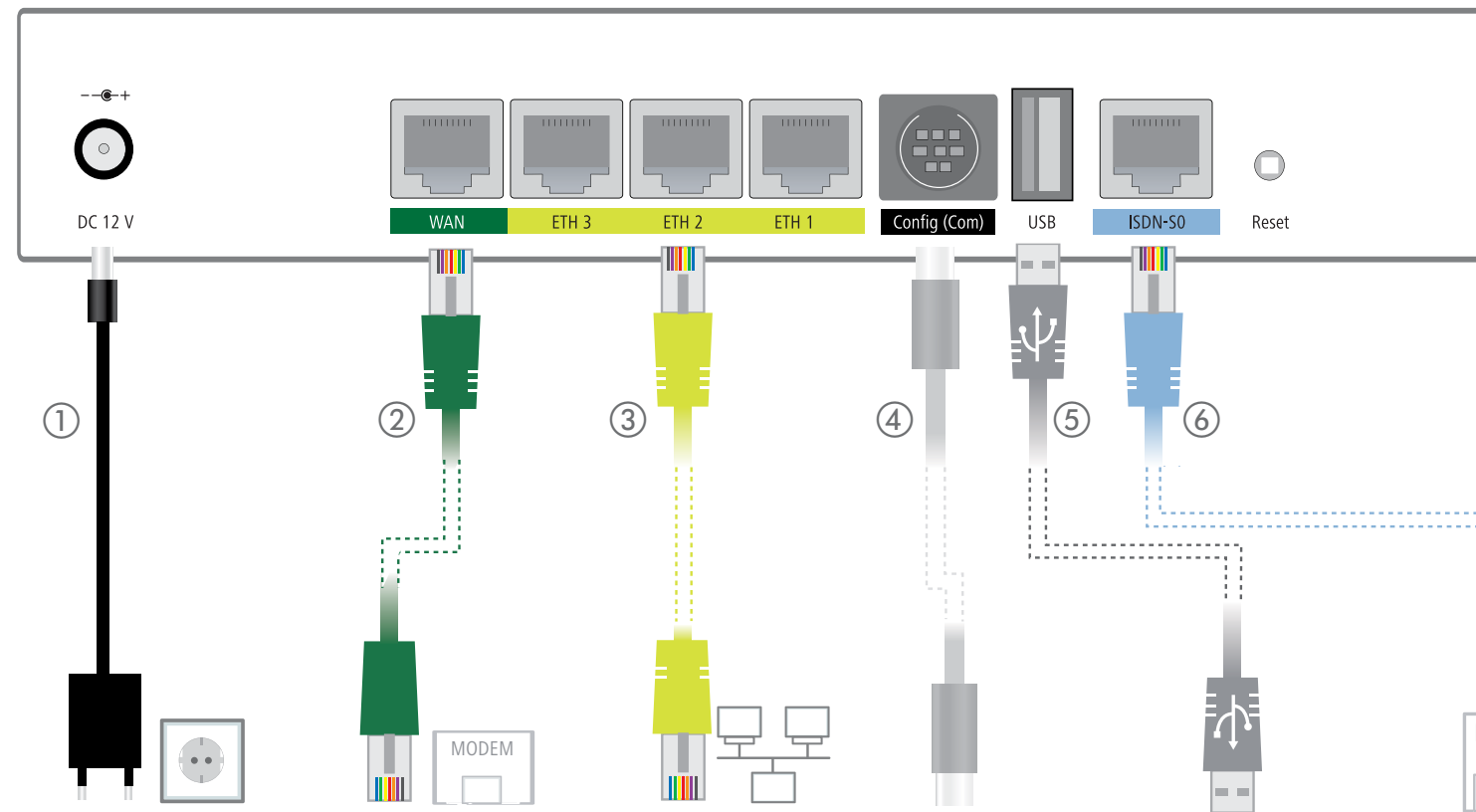


# LANCOM 1631E

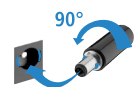
## Quick Reference Guide



**LANCOM**  
Systems



**① Power**  
When connecting the cable to the device, turn the bayonet connector 90° clockwise until it clicks into place.



Use only the supplied power adapter.

**② WAN Interface**  
Use the cable with the green connectors to connect the WAN interface to your WAN modem.

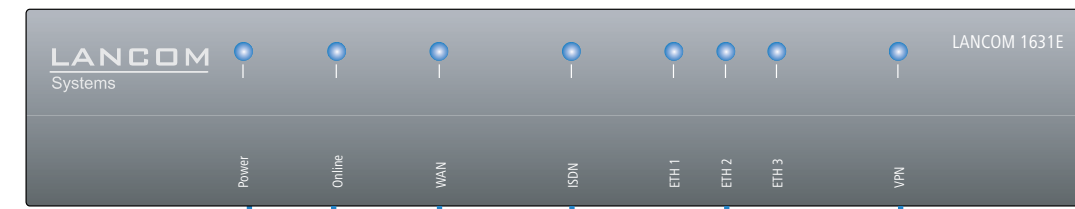
**③ Ethernet Interface**  
Use the cable with the green-colored connectors to connect one of the interfaces ETH 1 to ETH 3 to your PC or a LAN switch.

**④ Serial Interface**  
Connect the device to a PC with a configuration cable. (Cable sold separately)

**⑤ USB Interface**  
Connect a USB data medium or a USB printer to the USB interface. (USB cable not supplied)

**⑥ ISDN Interface**  
Use the ISDN cable with the light-blue connectors to connect the ISDN interface to the NTBA if you wish to use ISDN in addition.

SETTING UP AND CONNECTING THE DEVICE



① Power	
no	Device switched off
constant green	Device operational
green blinking	Configuration password not set. Without a configuration password, the configuration data in the device is unprotected.
red blinking	Time or charge limit on online connections has been reached

② Online	
Off	WAN connection not active
constant green	WAN connection active
constant red	Error establishing the WAN connection

③ WAN	
Off	Interface deactivated
Blinking orange	Synchronization with the modem
Orange on (permanently)	Synchronization with the modem successful
Green on (permanently)	WAN connection established
Flickering green	WAN data transmission
Blinking red	Hardware error

⑥ VPN	
Off	No VPN connection active
Green on (permanently)	VPN connection active
Blinking green	Establishing VPN connection

⑤ ETH	
Off	No networking device attached
constant green	Connection to network device operational, no data traffic
green flashing	Data traffic

④ ISDN	
Off	ISDN interface deactivated
constant green	D-channel operational
constant orange	B-channel operational
green flashing	ISDN data transmission
red flickering	ISDN transmission error
red/orange blinking	ISDN hardware error

Hardware	
Power supply	12 V DC, external power adapter (230 V)
Power consumption	Max. ca.10 W
Environment	Temperature range 5 – 40 °C; humidity 0 – 95%; non-condensing
Housing	Robust synthetic housing, rear connectors, ready for wall mounting, Kensington lock; measures 210 x 45 x 140 mm (W x H x D)
Number of fans	None; fanless design, no rotating parts, high MTBF
Interfaces	
WAN	10/100/1000 Mbps Gigabit Ethernet
ETH	4 individual 10/100/1000 Mbps Gigabit Ethernet ports in switch-mode by default; up to three can be configured as additional WAN ports. Ethernet ports can be electrically disabled within LCOS configuration
USB	USB 2.0 Hi-Speed host port for connecting USB printers (USB print server), serial devices (COMport servers), USB data media (FAT file system), or supported UMTS USB modems
ISDN	ISDN S0 bus (BRI)
Serial interface	Serial configuration interface / COM port (8-pin Mini-DIN): 9,600 - 115,000 baud, suitable for optional connection of analog/GPRS modems. Supports internal COM-port server and transparent asynchronous serial-data transfer via TCP
WAN protocols	
Ethernet	PPPoE, Multi-PPPoE, ML-PPP, PPTP (PAC or PNS) and IPoE (with or without DHCP), RIP-1, RIP-2, VLAN, GRE, L2TPv2 (LAC or LNS), IPv6 over PPP (IPv6 and IPv4/IPv6 dual stack session), IP(v6)oE (autoconfiguration, DHCPv6 or static)
ISDN	1TR6, DSS1 (Euro ISDN), PPP, X75, HDLC, ML-PPP, V.110/GSM/HSCSD
Declaration of conformity	
The Declaration of Conformity can be found on the product page of our website <a href="http://www.lancom.eu">www.lancom.eu</a>	
Package content	
Manual	Hardware Quick Reference (DE/EN), Installation Guide (DE/EN)
CD/DVD	Data medium with firmware, management software (LANconfig, LANmonitor) and documentation
Cable	Ethernet cable, 3m (light-green connectors), ADSL cable, 3m (light-blue connectors), ISDN cable, 3m (dark-blue connectors)
Power adapter	External power adapter (230 V), NEST 12 V/1.5 A DC/5, coaxial power connector 2.1/5.5 mm bayonet LANCOM item no. 110723 or 111301 (EU, 230 V); LANCOM item no. 110829 or 111302 (UK, 230 V)

License information for the device firmware (LCOS) is available in the file LCOS-Licenses.txt on the data medium supplied.

LANCOM, LANCOM Systems and LCOS are registered trademarks. All other names or descriptions used may be trademarks or registered trademarks of their owners. Subject to change without notice. No liability for technical errors and/or omissions. 1.1094171016